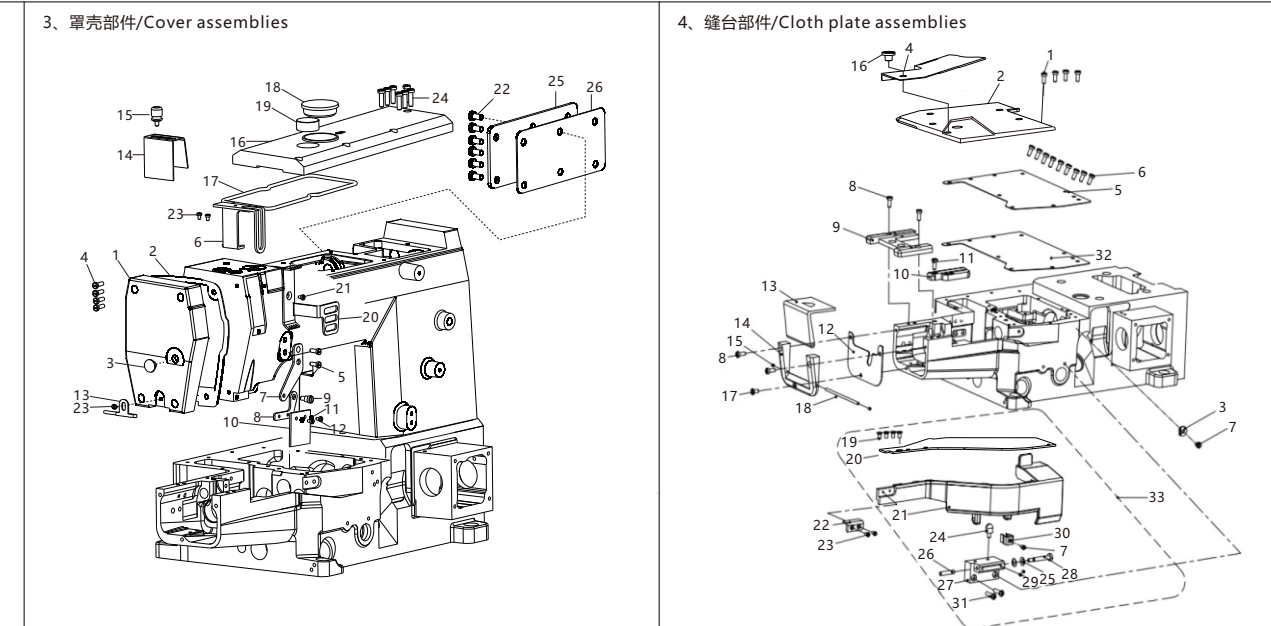
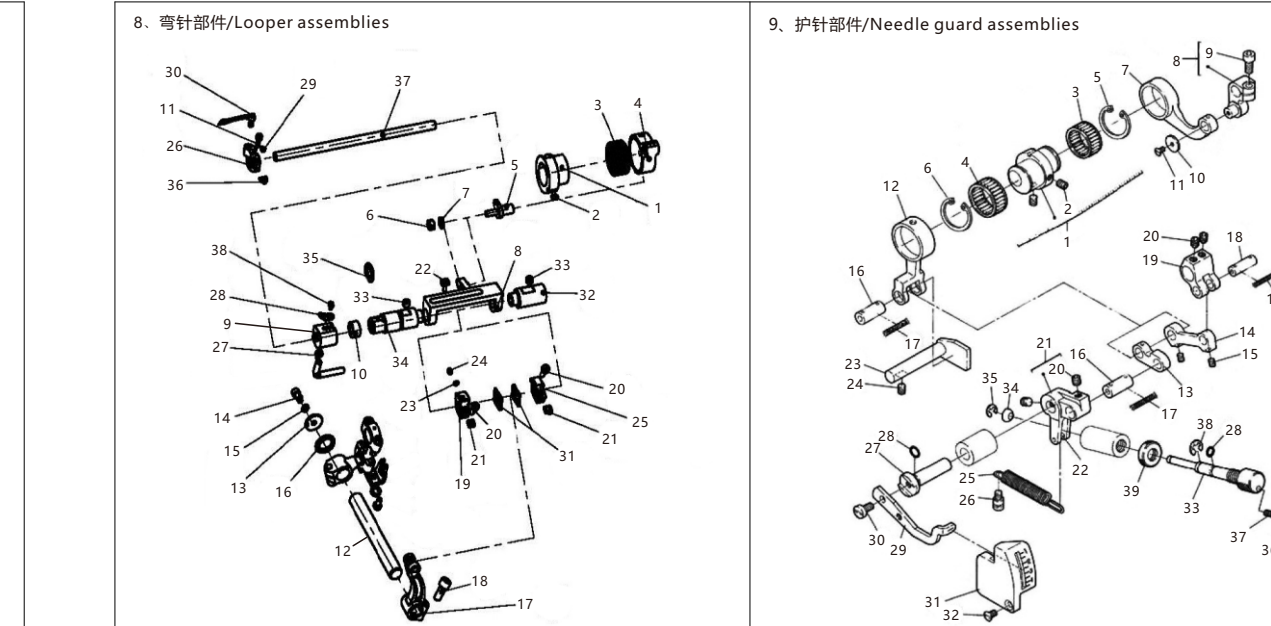


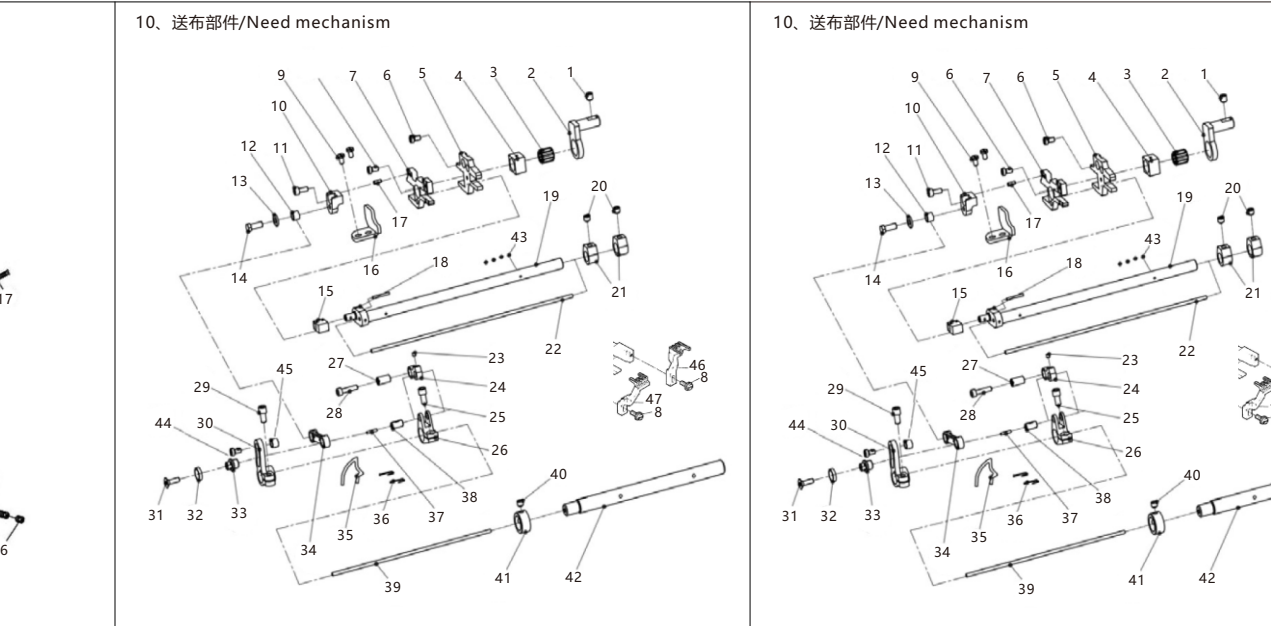
序号	物料号	名称	Description	数量	备注
Ref.No.	Part.No.	Part.No.	Description	Qty	Remark
1	13.002.00003	主轴套套筒	sleeve	1	
2	13.000.00002	密封轴套套筒	sleeve	2	
3	13.000.00003	密封套筒	sleeve	2	
4	13.000.00005	密封套筒	sleeve	1	
5	13.000.00005	密封套筒	sleeve	1	
6	13.002.00002	密封套筒	sleeve	1	
7	13.002.00002	密封套筒	sleeve	1	
8	13.002.00009	密封套筒	sleeve	1	
9	13.000.00009	密封套筒	sleeve	1	
10	13.000.00009	密封套筒	sleeve	1	
11	13.002.00004	密封套筒	sleeve	1	
12	13.002.00006	密封套筒	sleeve	2	
13	13.002.00029	密封套筒	sleeve	1	
14	13.002.00007	密封套筒	sleeve	1	
15	13.002.00008	密封套筒	sleeve	1	
16	13.002.00010	密封套筒	sleeve	1	



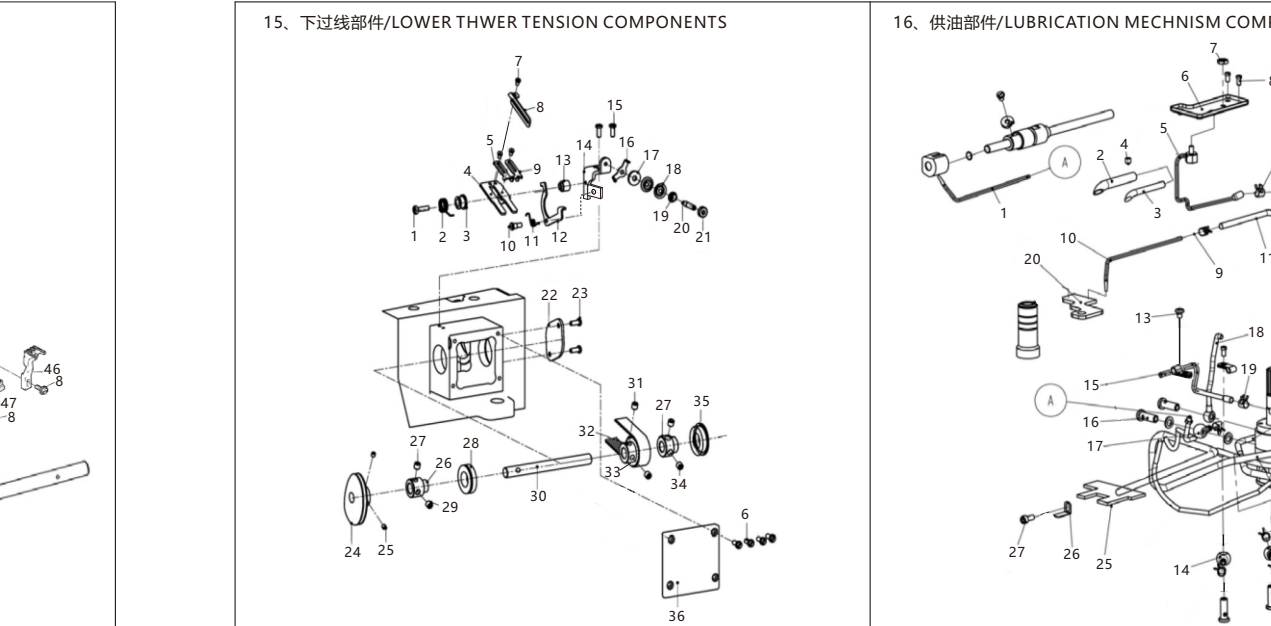
序号	物料号	名称	Description	数量	备注
Ref.No.	Part.No.	Part.No.	Description	Qty	Remark
1	19.01.03.00020	机壳	ARM	1	
2	19.01.03.00021	机壳底座	Machine seat	1	
3	17.01.00277	螺栓螺母	Machine mounting screw MB 4	4	
4	13.000.00005	密封套筒	plug	3	
5	13.000.00015	密封套筒	plug	4	
6	17.01.00091	密封套筒	Screw	4	
7	13.000.00016	密封套筒	plug	6	
8	13.000.00016	密封套筒	plug	2	
9	13.000.00017	密封套筒	plug	2	
10	13.000.00019	密封套筒	plug	3	
11	13.000.00021	密封套筒	plug	1	
12	13.000.00022	密封套筒	plug	2	
13	13.000.00023	密封套筒	plug	1	
14	17.01.00036	密封套筒	Screw	2	
15	13.000.00024	密封套筒	plug	1	
16	20.02.03.00093	上盖	Upper cover	1	
17	13.000.00036	上盖套筒	Upper cover gasket	1	
18	13.000.00040	上盖套筒	Upper cover plug	1	
19	13.000.00041	遮光罩	Sight Window	4	
20	17.01.00043	密封套筒	Screw	1	
21	17.01.00027	密封套筒	Screw	1	
22	17.01.00025	密封套筒	Screw	6	
23	17.01.00036	密封套筒	Screw	2	
24	17.01.00023	密封套筒	Screw	7	
25	13.002.00016	密封套筒	plug	6	
26	13.006.00008	后盖套筒	Rear cover pad	1	
27	20.02.03.00057-1	凸缘销	Clamping pin	1	
28	20.02.03.00057-10	凸缘销	Clamping pin	10	
29	20.02.03.00057-8	凸缘销	Screw	2	
30	13.002.00017	密封套筒	clip	1	
31	17.01.00023	密封套筒	pin	1	
32	13.002.00023	密封套筒	Flat mat	1	
33	20.02.03.00057	密封套筒	bed cover	1	



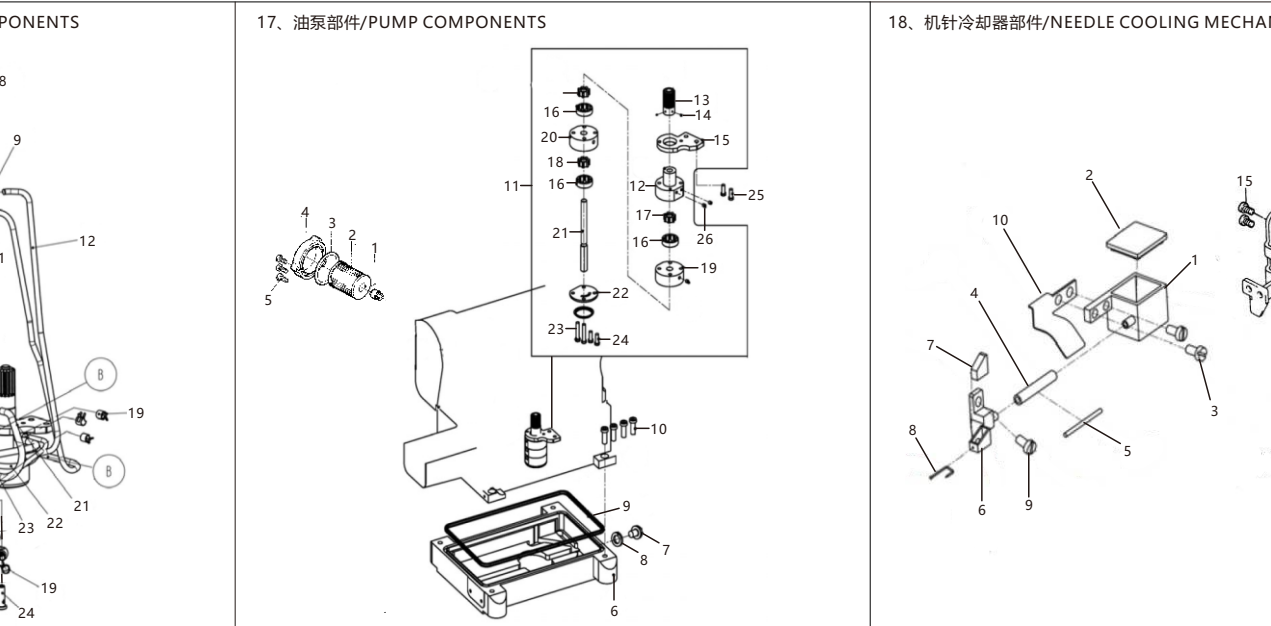
序号	物料号	名称	Description	数量	备注
Ref.No.	Part.No.	Part.No.	Description	Qty	Remark
1	20.02.03.00092	罩壳	Face cover	1	
2	20.02.03.00096	罩壳套筒	Face cover gasket	1	
3	13.000.00032	罩壳套筒	plug	1	
4	13.000.00032	罩壳套筒	plug	1	
5	13.000.00015	罩壳套筒	plug	4	
6	17.01.00100	罩壳套筒	Screw	6	
7	17.01.00068	罩壳套筒	Screw	2	
8	13.000.00013	罩壳套筒	Shield bracket	1	
9	17.01.00097	罩壳套筒	Screw	1	
10	13.000.00019	罩壳套筒	Threading cover spring	1	
11	17.01.00044	罩壳套筒	Washer	1	
12	13.002.00020	罩壳套筒	needle tube after beads	1	
13	13.000.00037	罩壳套筒	Sewing machine LED	1	
14	13.000.00016	罩壳套筒	Thread take-up lever guard	1	
15	17.01.00074	罩壳套筒	Screw	1	
16	17.01.00100	罩壳套筒	Screw	1	
17	17.01.00097	罩壳套筒	Screw	1	
18	13.002.00022	罩壳套筒	needle tube after beads	1	
19	13.002.00023	罩壳套筒	needle tube after beads	1	
20	20.02.03.00056	罩壳套筒	Front cover panel	1	
21	13.002.00056	罩壳套筒	Front cover panel	1	
22	20.02.03.00057-2	罩壳套筒	Front cover panel	1	
23	13.002.00056	罩壳套筒	Front cover panel	1	
24	20.02.03.00057-4	罩壳套筒	Front cover panel	1	
25	20.02.03.00057-5	罩壳套筒	Front cover panel	1	
26	20.02.03.00057-6	罩壳套筒	Front cover panel	1	
27	17.01.00023	罩壳套筒	Screw	1	
28	20.02.03.00057-10	罩壳套筒	Front cover panel	1	
29	17.01.00120	罩壳套筒	Screw	2	
30	13.002.00063	罩壳套筒	needle	1	
31	17.01.00023	罩壳套筒	Screw	1	
32	13.002.00059	罩壳套筒	needle	1	
33	13.002.00023	罩壳套筒	needle	1	
34	13.002.00057	罩壳套筒	needle	1	
35	13.002.00058	罩壳套筒	needle	1	
36	17.01.00062	罩壳套筒	needle	1	
37	13.002.00060	罩壳套筒	needle	1	
38	17.01.00017	罩壳套筒	needle	1	
39	13.002.00074	罩壳套筒	needle	1	



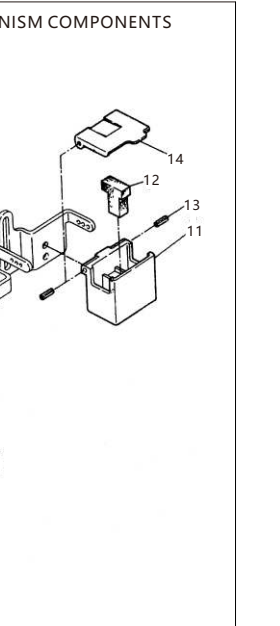
序号	物料号	名称	Description	数量	备注
Ref.No.	Part.No.	Part.No.	Description	Qty	Remark
1	17.01.00029	缝台	Screw	4	
2	20.02.03.00067	缝台套筒	bed cover	2	
3	13.002.00124	缝台套筒	threadguide	1	
4	13.002.00067	缝台套筒	needle bearing	1	
5	13.002.00067	缝台套筒	needle bearing	1	
6	17.01.00100	缝台套筒	Screw	1	
7	17.01.00068	缝台套筒	Screw	1	
8	13.002.00050	缝台套筒	needle	1	
9	13.002.00054	缝台套筒	needle	1	
10	13.000.00019	缝台套筒	needle	1	
11	17.01.00044	缝台套筒	Screw	1	
12	13.002.00020	缝台套筒	needle tube after beads	1	
13	13.000.00037	缝台套筒	needle tube after beads	1	
14	17.01.00011	缝台套筒	needle	1	
15	13.002.00010	缝台套筒	needle	1	
16	17.01.00062	缝台套筒	needle	1	
17	17.01.00097	缝台套筒	needle	1	
18	13.002.00056	缝台套筒	needle	1	
19	13.002.00056	缝台套筒	needle	1	
20	17.01.00043	缝台套筒	Screw	2	
21	13.002.00056	缝台套筒	needle	2	
22	13.002.00051	缝台套筒	needle	1	
23	13.002.00056	缝台套筒	needle	1	
24	17.01.00120	缝台套筒	Screw	1	
25	13.002.00054	缝台套筒	needle	2	
26	17.01.00120	缝台套筒	Screw	1	
27	13.002.00056	缝台套筒	needle	1	
28	13.002.00010	缝台套筒	needle	1	
29	17.01.00120	缝台套筒	Screw	1	
30	13.002.00063	缝台套筒	needle	1	
31	13.002.00079	缝台套筒	needle	1	
32	13.002.00059	缝台套筒	needle	1	
33	13.002.00073	缝台套筒	needle	1	
34	13.002.00075	缝台套筒	needle	1	
35	17.01.00015	缝台套筒	needle	1	
36	17.01.00062	缝台套筒	needle	1	
37	17.01.00061	缝台套筒	needle	1	
38	17.01.00017	缝台套筒	needle	1	
39	13.002.00074	缝台套筒	needle	1	



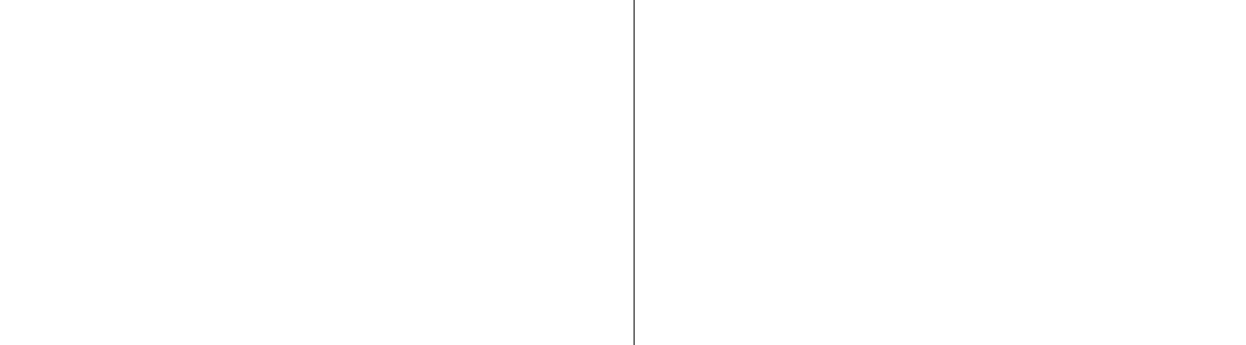
序号	物料号	名称	Description	数量	备注
Ref.No.	Part.No.	Part.No.	Description	Qty	Remark
1	13.002.00034-1	下轴套筒	Crankshaft	1	
2	13.002.00034-2	下轴套筒	Screw	2	
3	13.002.00034-3	下轴套筒	Crankshaft	1	
4	13.002.00034-4	下轴套筒	Screw	4	
5	13.002.00034-5	下轴套筒	Screw	1	
6	17.03.00006	下轴套筒	Screw	1	
7	13.002.00034-6	下轴套筒	Crank	1	
8	17.06.00005	下轴套筒	Upper hook shaft link	1	
9	13.000.00057	下轴套筒	Bushing	1	
10	13.000.00059	下轴套筒	Bushing	1	
11	17.01.00011	下轴套筒	Timing belt	1	
12	13.000.00059	下轴套筒	Timing belt	1	
13	17.01.00011	下轴套筒	Timing belt	1	
14	17.01.00011	下轴套筒	Timing belt	2	
15	13.007.00007	下轴套筒	Gear(lower)	1	
16	17.06.00004	下轴套筒	Bearing	1	
17	13.002.00034-7	下轴套筒	Gear	1	
18	13.002.00034-8	下轴套筒	Bearing	1	
19	13.002.00034-9	下轴套筒	Screw	1	
20	16.05.00023	下轴套筒	Screw	1	



序号	物料号	名称	Description	数量	备注
Ref.No.	Part.No.	Part.No.	Description	Qty	Remark
1	13.000.00062	针杆曲柄	Needle bar crank	1	
2	13.000.00063	针杆套筒	Bushing	1	
3	17.06.00006	针杆套筒	Screw	2	
4	17.01.00025	针杆套筒	Screw	4	
5	17.03.00006	针杆套筒	Screw	1	
6	17.01.00032	针杆套筒	Screw	1	
7	13.000.00061-1	针杆套筒	Main shaft forward	1	
8	13.000.00061-1	针杆套筒	Upper hook shaft link	1	
9	13.000.00061-2	针杆套筒	Screw	4	
10	13.002.00061-1	针杆套筒	Upper face-up thread ball crank	1	
11	17.01.00032	针杆套筒	Screw	1	
12	13.000.00064	针杆套筒	Upper balance block	1	
13	13.000.00068	针杆套筒	Upper hook shaft bushing	1	
14	13.000.00061	针杆套筒	Link bearing	1	
15	17.01.00037	针杆套筒	Screw	3	
16	13.000.00073	针杆套筒	Main shaft backside	1	
17	13.000.00067	针杆套筒	Main shaft front bushing	1	
18	13.000.00068	针杆套筒	Main shaft back bushing	1	
19	17.06.00007	针杆套筒	Bushing	1	
20	13.000.00065	针杆套筒	Follower wheel	1	
21	13.000.00068	针杆套筒	Upper hook shaft bushing	1	
22	20.02.03.00061	针杆套筒	Main shaft back bushing	1	
23	17.01.00033	针杆套筒	Screw	2	
24	17.01.00033	针杆套筒	Washer	1	
25	17.01.00108	针杆套筒	Screw	1	



序号	物料号	名称	Description	数量	备注
Ref.No.	Part.No.	Part.No.	Description	Qty	Remark
1	13.002.00037	针杆	needle bar	1	
2	13.000.00061-1	针杆套筒	needle bar clamp	1	
3	13.000.00061-1	针杆套筒	link	1	
4	13.000.00061-1	针杆套筒	Upper hook shaft link	1	
5	13.000.00061-2	针杆套筒	Screw	4	
6	17.01.00033	针杆套筒	needle bearing	1	
7	17.01.00037	针杆套筒	washer	1	
8	13.000.00061-1	针杆套筒	Upper face-up thread ball crank	1	
9	13.000.00061-2	针杆套筒	Screw	4	
10	13.000.00064	针杆套筒	Upper balance block	1	
11	13.000.00068	针杆套筒	Upper hook shaft bushing	1	
12	13.000.00061	针杆套筒	Link bearing	1	
13	17.01.00037	针杆套筒	Screw	3	
14	13.000.00073	针杆套筒	Main shaft backside	1	
15	13.000.00067	针杆套筒	Main shaft front bushing	1	
16	13.000.00068	针杆套筒	Main shaft back bushing	1	
17	17.06.00007	针杆套筒	Bushing	1	
18	13.000.00065	针杆套筒	Follower wheel	1	
19	13.000.00068	针杆套筒	Upper hook shaft bushing	1	
20	20.02.03.00061	针杆套筒	Main shaft back bushing	1	
21	17.01.00033	针杆套筒	Screw	2	
22	17.01.00033	针杆套筒	Washer	1	
23	17.01.00108	针杆套筒	Screw	1	



序号	物料号	名称	Description	数量	备注
Ref.No.	Part.No.	Part.No.	Description	Qty	Remark
1	13.002.00067-1	钩针套筒	eccentric	1	
2	13.002.0006				